



TENPOINT

CROSSBOW TECHNOLOGIES

PRODUCT CATALOG



2015

**THERE IS NO
SUBSTITUTE.**

 **STEALTH FX**



TENPOINT

TWO NEW BOWS FOR 2015

THE STEALTH FX4 AND LADY SHADOW

PRECISION-ENGINEERED HUNTING MACHINES

FURTHER DEFINING WHAT A CROSSBOW SHOULD BE

**PERFECTION
LIVES HERE.**

During our first five years in business, I recall getting excited when anti-crossbow articles appeared in bowhunting magazines. I believed any attention the crossbow industry received was good because it fueled dialog. Time has proved me right. While there are still plenty of anti-crossbow hunters, their voice is now the exception rather than the rule. The crossbow industry has come of age and our belief that it would help grow the popularity of bowhunting has been realized, all without decimating the deer population!

This year, our operating corporation is introducing a third brand, Horton Crossbow Innovations, fueling speculation about what that means to TenPoint and Wicked Ridge. We believe that with a common commitment to quality and value, each brand will offer its own unique set of attributes and thrive within the marketplace.

TenPoint will remain at the top of the three brands, streamlined, and improved for 2015. We discontinued three models, introduced the high performance Stealth FX4, and added the Lady Shadow for the female hunter. This "less is more" approach will put us in a position to sharpen our focus on advancing quality and innovation.

Finally, we will continue to listen to our customers. As always, they offer us the best ideas and point us in the right direction.

Richard L. Bednar - President, CEO & Chairman

TenPoint Crossbow Technologies®
Wicked Ridge Crossbows®
Horton Crossbow Innovations™





NEW FOR 2015

LADY SHADOW™

A weapon worthy of being shouldered by the most discriminating female hunter, the **NEW** Lady Shadow is only 34.4-inches long and 6.4-pounds, with a lightweight 19.63-inch carbon-injected polymer barrel mounted to our popular FSB™ (Functionally Superior Bullpup) stock. Rubber safety wings both embed the barrel and help prevent thumb and finger injury. 11-inch IsoTaper™ Limbs powered by MRX™ cams and hot pink DynaFLIGHT 97 string and cables combine with our 180-pound, 13.5-inch XLT bow assembly to propel arrows down range up to 350 FPS.

UP TO
350 FPS / 104 FP KE
180 LB DRAW WT
6.4 LB BOW WT

PG **11**



PG **9**

STEALTH FX4™

The **NEW** Stealth FX4 elevates our ultra-compact crossbow platform to new heights. At the heart of the upgrade is a supercharged 13.25-inch bow assembly, featuring 11-inch IsoTaper™ limbs powered by HE2™ cams and DynaFLIGHT 97 string and cables with a hard yoke system. Together, the stock and bow assemblies create a rock-solid crossbow that shoots up to 370 FPS and helps redefine what compact crossbows are all about.

UP TO
370 FPS / 116 FP KE | **185 LB DRAW WT** | **6.8 LB BOW WT**



TENPOINT OFFICIAL GEAR

SHOW YOUR TENPOINT PRIDE

FROM THE WOODS TO THE WORKPLACE

WITH OFFICIAL LOGO GEAR AND APPAREL



TENPOINT
CROSSBOWS

NEW FOR 2015



PROPERTY OF
19 Est. 94
TENPOINT CROSSBOWS

TENPOINT HOODED SWEATSHIRT (CHARCOAL)

TenPoint's hooded sweatshirts are made from 80% cotton and 20% polyester, and feature the TenPoint "Property of" logo. Available in sizes Medium through 2XL.

HCA-66915-M

HCA-66915-L

HCA-66915-XL

HCA-66915-XXL



NEW FOR 2015

TENPOINT T-SHIRTS

Show your TenPoint pride with these premium quality, super soft logo tees. Available in three designs, sizes Medium through 2XL.

LARGE TENPOINT LOGO (Charcoal)

HCA-66015-M	HCA-66015-L
HCA-66015-XL	HCA-66015-XXL



NEW FOR 2015

VINTAGE TENPOINT LOGO (Red)

HCA-66115-M	HCA-66115-L
HCA-66115-XL	HCA-66115-XXL

"ESTABLISHED 1994" LOGO (Charcoal)

HCA-66215-M	HCA-66215-L
HCA-66215-XL	HCA-66215-XXL



NEW FOR 2015



NEW FOR 2015

TENPOINT HATS

These stylish embroidered adjustable TenPoint logo hats are the perfect way to wear your TenPoint pride anywhere you go. Choose from three different styles. One size fits all.

NEW FOR 2015



HCA-62515-MT	Camo "Est. 1994" Hat
HCA-62515-GW	Gray/White TenPoint Logo Hat
HCA-62515-BT	Black/Tan "Est. 1994" Hat

**THERE IS NO
SUBSTITUTE.**

CARBON **XTRA** CLS™

THE PINNACLE OF FORM AND FUNCTION.

The precision-crafted, laminated wood stock Carbon Xtra CLS is created for the discriminating hunter, shooting enthusiast, or collector who demands the best. With its classic, heirloom-quality stock and woven carbon fiber barrel, it establishes a benchmark for crossbow aesthetics and performance.



17.5"
AXLE-TO-AXLE
(when cocked)



Generates devastating power
out of a maneuverable 17.5"
axle-to-axle (when cocked) package.

185
LB DRAW WT.

370-grain Pro Lite Arrow:
364/109
FPS/KE

425-grain Pro Elite Arrow:
345/112
FPS/KE

435-grain Magnum XX75 Aluminum Arrow:
342/113
FPS/KE

PERFORMANCE

PACKAGE OVERVIEW

OPTICS	TenPoint RangeMaster Pro Scope mounted on a machined aluminum 7/8-inch Fixed Dovetail Mount
COCKING AID	Your choice of either the patented ACUdraw or ACUdraw 50 cocking mechanism
QUIVER	Instant Detach 3-Arrow Quiver; Ambidextrous Side-Mount Quiver Bracket
ARROWS	Six-pack of TenPoint Pro Elite carbon arrows with practice points; Six-pack of TenPoint Pro Elite Premium Hunter carbon arrows with 100-grain broadheads and Omni-Brite™ nocks, precision-matched for trueness and weight-matched for accuracy.
CASES	TenPoint airline-approved, Compact Travel & Storage Case; Deluxe Soft Crossbow Case
NOISE DAMPENING	TenPoint's exclusive Bowjax Crossbow Noise Dampening Kit; SDS (String Dampening System)
ADDITIONAL ITEMS	SteddyEddy® telescoping lightweight aluminum monopod; TenPoint CareKit (see page 22 for details); TenPoint Neoprene Sling; GripGuard safety shield; Owner's Instructional DVD; TenPoint vehicle window sticker; Two Custom Service PAC I routine maintenance certificates worth \$99 each. (TenPoint will mail them after owner completes and returns warranty card. Valid for 5-years following the purchase date.)



VAPOR™



2015 CROSSBOWS

FSB
FUNCTIONALLY SUPERIOR BULLPUP

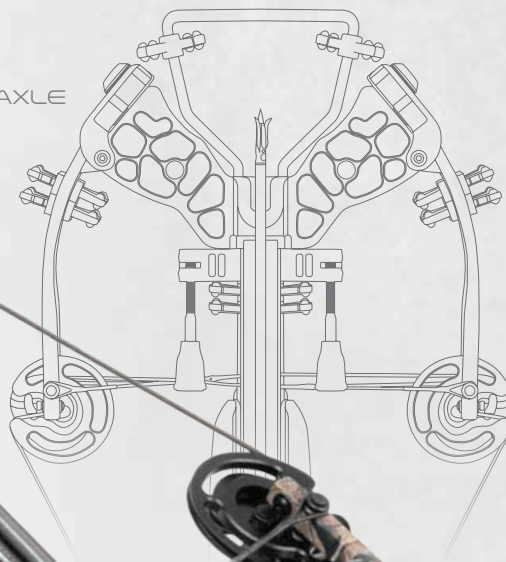
VAPORIZE THE COMPETITION.

The game-changing Vapor offers a novel design platform focused on speed, weight reduction, and maneuverability. Its streamlined PLT™ bow assembly and FSB stock, fitted with our carbon fiber barrel, combine to produce the quietest, most accurate, and most efficient top-of-the-line model we have ever made.



12.6"

AXLE-TO-AXLE
(when cocked)



PLT
PARALLEL LIMB TECHNOLOGY™

The Vapor's unique PLT™ bow assembly measures an astonishingly narrow 12.6" axle-to-axle when cocked, while the FSB stock is designed to reduce weight and move the crossbow's center of balance closer to the body for superb handling.

165
LB DRAW WT.

420-grain Pro V22 Arrow:
360/121
FPS/KE

PERFORMANCE

INCLUDES RUBBER SAFETY WINGS

Helps protect fingers from dangerously migrating above flight deck.

PACKAGE OVERVIEW

- OPTICS** TenPoint RangeMaster Pro Scope mounted on an extended machined aluminum 7/8-inch Fixed Dovetail Mount
- COCKING AID** Your choice of either the patented ACUdraw or ACUdraw 50 cocking mechanism
- QUIVER** Instant Detach 3-Arrow Quiver; Ambidextrous Side-Mount Quiver Bracket
- ARROWS** Six-pack of TenPoint Pro V22 carbon fiber arrows with practice points
- CASE** Deluxe Soft Crossbow Case
- NOISE DAMPENING** TenPoint's exclusive Bowjax Crossbow Noise Dampening Kit; SDS (String Dampening System)
- ADDITIONAL ITEMS** Owner's Instructional DVD; TenPoint vehicle window sticker

Available only as a complete package



THERE IS NO
SUBSTITUTE.

VENOM™

FSB
FUNCTIONALLY SUPERIOR BULLPUP

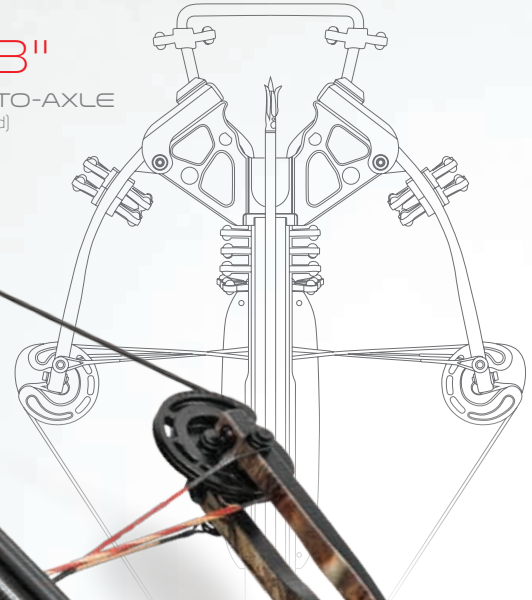
NOTHING IS DEADLIER THAN VENOM.

The premium level Venom combines TenPoint's popular FSB stock and a 19.9-inch woven carbon fiber barrel with a supercharged version of our XLT bow assembly to create a super light and ultra-compact model that delivers a vicious hit up to 372 FPS.



13.3"

AXLE-TO-AXLE
(when cocked)



At only 13.3" axle-to-axle (when cocked), TenPoint's Xtreme Limb Technology (XLT) redefines what it means to be compact and maneuverable.

PERFORMANCE

185

LB DRAW WT.

370-grain Pro Lite Arrow:

372/114

FPS/KE

425-grain Pro Elite Arrow:

353/118

FPS/KE

435-grain Magnum XX75 Aluminum Arrow:

350/118

FPS/KE



INCLUDES RUBBER SAFETY WINGS

Helps protect fingers from dangerously migrating above flight deck.

PACKAGE OVERVIEW

- OPTICS** TenPoint RangeMaster Pro Scope mounted on an extended machined aluminum 7/8-inch Fixed Dovetail Mount
- COCKING AID** Your choice of either the patented ACUdraw or ACUdraw 50 cocking mechanism
- QUIVER** Instant Detach 3-Arrow Quiver; Ambidextrous Side-Mount Quiver Bracket
- ARROWS** Six-pack of TenPoint Pro Elite carbon arrows with practice points
- NOISE DAMPENING** TenPoint's exclusive Bowjax Crossbow Noise Dampening Kit
- ADDITIONAL ITEMS** Owner's Instructional DVD; TenPoint vehicle window sticker

Available only as a complete package



NEW FOR 2015

STEALTH FX4™



2015 CROSSBOWS

FSB
FUNCTIONALLY SUPERIOR BULLPUP

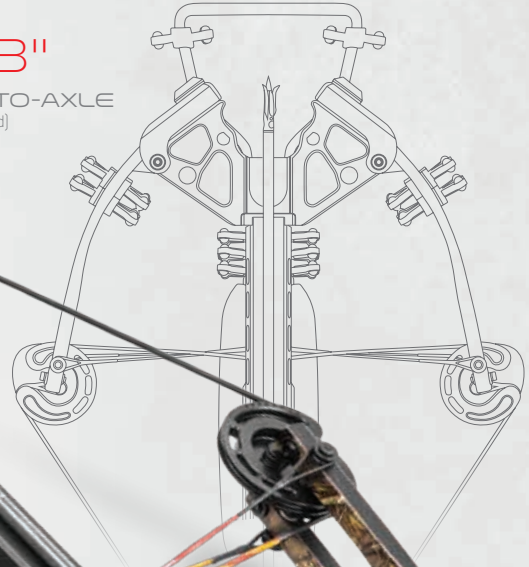
POWER AND PRECISION REDEFINED.

In redefining the compact crossbow landscape, the Stealth FX4 is driven by a supercharged bow assembly that fires an arrow up to 370 FPS. Its stock assembly featuring the FSB stock and fluted aluminum barrel serves as the foundation of this rock-solid crossbow that's built like a tank, but maneuvers like a luxury automobile.



13.3"

AXLE-TO-AXLE
(when cocked)



At only 13.3" axle-to-axle (when cocked), TenPoint's Xtreme Limb Technology (XLT) redefines what it means to be compact and maneuverable.

PERFORMANCE

185
LB DRAW WT.

370-grain Pro Lite Arrow:

370/113
FPS/KE

425-grain Pro Elite Arrow:

350/116
FPS/KE

435-grain Magnum XX75 Aluminum Arrow:

345/115
FPS/KE

INCLUDES RUBBER SAFETY WINGS

Helps protect fingers from dangerously migrating above flight deck.

PACKAGE OVERVIEW

- OPTICS** TenPoint's 3x Pro-View 2 Scope mounted on a machined aluminum 7/8-inch Fixed Dovetail Mount
- COCKING AID** Your choice of either the patented ACUdraw or ACUdraw 50 cocking mechanism
- QUIVER** Instant Detach 3-Arrow Quiver; Ambidextrous Side-Mount Quiver Bracket
- ARROWS** Three-pack of TenPoint Pro Elite carbon arrows with practice points
- NOISE DAMPENING** TenPoint's exclusive Bowjax Crossbow Noise Dampening Kit
- ADDITIONAL ITEMS** Owner's Instructional DVD; TenPoint vehicle window sticker

Available only as a complete package



THERE IS NO
SUBSTITUTE.

SHADOW ULTRA-LITE™

FSB
FUNCTIONALLY SUPERIOR BULLPUP

THE LIGHTEST TENPOINT EVER CREATED.

Featuring our weight-shedding, carbon-injected polymer barrel and our FSB stock, the Shadow Ultra-Lite weighs in at a mere 6.4-pounds, the lightest TenPoint crossbow ever. Powered by our compact XLT bow assembly and measuring just 34.4-inches long, this easy-to-handle heavy-hitter registers up to 350 FPS.



13.5"

AXLE-TO-AXLE
(when cocked)



XLT
XTREME LIMB TECHNOLOGY

At only 13.5" axle-to-axle (when cocked), TenPoint's Xtreme Limb Technology (XLT) redefines what it means to be compact and maneuverable.

PERFORMANCE

180
LB DRAW WT.

370-grain Pro Lite Arrow:

350/101
FPS/KE

425-grain Pro Elite Arrow:

331/103
FPS/KE

435-grain Magnum XX75 Aluminum Arrow:

328/104
FPS/KE

INCLUDES RUBBER SAFETY WINGS

Helps protect fingers from dangerously migrating above flight deck.

PACKAGE OVERVIEW

OPTICS

TenPoint's 3x Pro-View 2 Scope mounted on a machined aluminum 7/8-inch Fixed Dovetail Mount

COCKING AID

Your choice of either the patented ACUdraw or ACUdraw 50 cocking mechanism

QUIVER

Instant Detach 3-Arrow Quiver; Ambidextrous Side-Mount Quiver Bracket

ARROWS

Three-pack of TenPoint aluminum arrows with practice points

ADDITIONAL ITEMS

Owner's Instructional DVD; TenPoint vehicle window sticker

Available only as a complete package



NEW FOR 2015

LADY SHADOW™



2015 CROSSBOWS

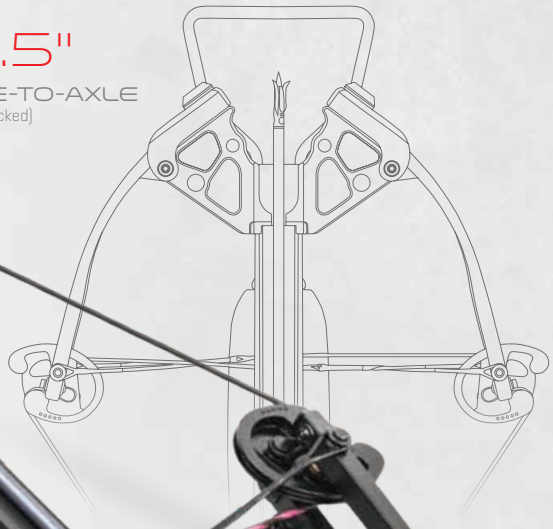
FSB
FUNCTIONALLY SUPERIOR BULLPUP

DOMINATE THE WOODS WITH STYLE.

The female counterpart to TenPoint's lightest crossbow ever, the Lady Shadow is fueled by a compact XLT bow assembly and hot pink string and cables. Finished in MuddyGirl® camo and shooting up to 350 FPS, the Lady Shadow is one crossbow every female hunter should be proud to carry into the woods.



13.5"
AXLE-TO-AXLE
(when cocked)



At only 13.5" axle-to-axle (when cocked), TenPoint's Xtreme Limb Technology (XLT) redefines what it means to be compact and maneuverable.

PERFORMANCE

180
LB DRAW WT.

370-grain Pro Lite Arrow:

350/101
FPS/KE

425-grain Pro Elite Arrow:

331/103
FPS/KE

435-grain Magnum XX75 Aluminum Arrow:

328/104
FPS/KE

INCLUDES RUBBER SAFETY WINGS

Helps protect fingers from dangerously migrating above flight deck.

PACKAGE OVERVIEW

- OPTICS** TenPoint's 3x Pro-View 2 Scope mounted on a machined aluminum 7/8-inch Fixed Dovetail Mount
- COCKING AID** Your choice of either the patented ACUdraw or ACUdraw 50 cocking mechanism
- QUIVER** Instant Detach 3-Arrow Quiver; Ambidextrous Side-Mount Quiver Bracket
- ARROWS** Three-pack of TenPoint aluminum arrows with practice points
- ADDITIONAL ITEMS** Owner's Instructional DVD; TenPoint vehicle window sticker

Available only as a complete package



Muddy Girl!

**THERE IS NO
SUBSTITUTE.**

TURBO XLT II™

TURBOCHARGE YOUR HUNT.

Pairing our Fusion Lite stock with a rugged XLT bow assembly powered by double-laminated IsoTaper limbs, the Turbo XLT II handles like a dream and hits like a heavyweight.



13.5"
AXLE-TO-AXLE
(when cocked)



At only 13.5" axle-to-axle (when cocked), TenPoint's Xtreme Limb Technology (XLT) redefines what it means to be compact and maneuverable.

180
LB DRAW WT.

370-grain Pro Lite Arrow:

345/98
FPS/KE

425-grain Pro Elite Arrow:

327/101
FPS/KE

435-grain Magnum XX75 Aluminum Arrow:

324/101
FPS/KE

PERFORMANCE



INCLUDES GLASS-REINFORCED NYLON SAFETY WINGS

Helps protect fingers from dangerously migrating above flight deck.

PACKAGE OVERVIEW

- OPTICS** TenPoint's 3x Pro-View 2 Scope mounted on a machined aluminum 7/8-inch Fixed Dovetail Mount
- COCKING AID** Accepts the addition of an **optional** patented ACUdraw or ACUdraw 50 cocking mechanism
- QUIVER** Instant Detach 3-Arrow Quiver; Ambidextrous Side-Mount Quiver Bracket
- ARROWS** Three-pack of TenPoint aluminum arrows with practice points
- ADDITIONAL ITEMS** Owner's Instructional DVD; TenPoint vehicle window sticker

Available only as a complete package



TITAN XTREME™



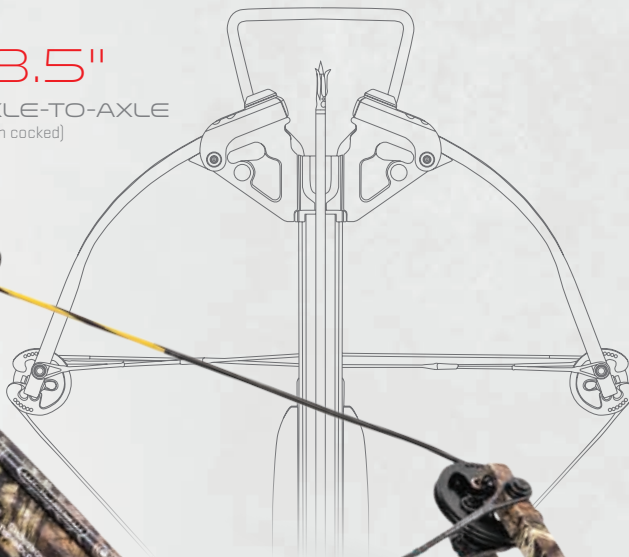
2015 CROSSBOWS

THOROUGHbred PERFORMANCE.

The combination of the Fusion Lite stock and a narrow, 18.5-inch bow assembly when cocked, powered by 180-pound field-tested HL limbs and XR wheels; elevates TenPoint's long-standing workhorse model to thoroughbred status.

18.5"

AXLE-TO-AXLE
(when cocked)



LIGHT. FAST. NARROW.

The Titan Xtreme's field-proven power plant, featuring HL limbs and XR wheels, delivers impressive power and maneuverability.

180
LB DRAW WT.

370-grain Pro Lite Arrow:

333/91
FPS/KE

425-grain Pro Elite Arrow:

315/94
FPS/KE

435-grain Magnum XX75 Aluminum Arrow:

312/94
FPS/KE

PERFORMANCE

INCLUDES GLASS-REINFORCED NYLON SAFETY WINGS

Helps protect fingers from dangerously migrating above flight deck.

PACKAGE OVERVIEW

OPTICS

TenPoint's 3x Pro-View 2 Scope mounted on a machined aluminum 7/8-inch Fixed Dovetail Mount

COCKING AID

Accepts the addition of an **optional** patented ACUdraw or ACUdraw 50 cocking mechanism

QUIVER

Instant Detach 3-Arrow Quiver

ARROWS

Three-pack of TenPoint aluminum arrows with practice points

ADDITIONAL ITEMS

Owner's Instructional DVD; TenPoint vehicle window sticker

Available only as a complete package



DEFINING FEATURES

1

Patented ACUdraw and ACUdraw 50 cocking devices

Allow hunters of all ages and physical abilities to enjoy bowhunting

2

DFI™ (Dry-Fire-Inhibitor)

Prevents firing the crossbow when not loaded

3

3½-pound T2™ trigger with MIM (metal-injection-molded) action components

Delivers a smooth, crisp trigger pull for increased accuracy with optimum creep for safety

4

Quiet MIM automatic safety

Reduces noise and auto engages while cocking

5

Vibra-Cush bow-to-barrel mounting system

Reduces noise and vibration

6

Limb Isolation System

Over-the-Top limb pocket / Zytel® limb suspension system separates and isolates the limbs from direct contact with the riser to reduce sound and vibration

7

ACUdraw-ready FSB (Functionally Superior Bullpup), Fusion Lite, and FST (Functionally Superior Thumbhole) stocks

Provide match-rifle stability when shooting

8

ACRA-ANGLE™ Barrel

Eliminates finger pinching and ensures accuracy when manually drawing the crossbow

Premium 3.5 lb. T2™ trigger

Patented GripSafety

Embedded dual-purpose rubber safety wings

Glass reinforced nylon safety wings

DFI™ (Dry-Fire-Inhibitor)

Automatic Safety

OTT (Over-the-Top) limb pocket / Zytel® "lift & separate" limb suspension system

CLS (Compact Limb System)

XLT (Xtreme Limb Technology)

PLT (Parallel Limb Technology)

12-inch IsoTaper limbs

11-inch IsoTaper limbs

13-inch HL quad limbs

HE or HE 2 cams

HP, MR, or MRX cams

XR wheels

Lightweight, floating woven carbon fiber ACRA-ANGLE barrel

Tactical, aluminum ACRA-ANGLE slotted barrel

Fusion Lite composite stock and ACRA-ANGLE barrel

Carbon injected Polymer ACRA-ANGLE slotted barrel

ACUdraw and ACUdraw 50 compatible

Limited Lifetime Operational Warranty





MIM (Metal-Injection-Molded) Claw-Over String Latch

RangeMaster Pro Scope
(Additional scope options available on request)

Patented Wedgie Retention Spring Silencer

SDS (String Dampening System) (Optional)

IsoTaper Quad-Limb System
(Only on specific models)

CADD Designed And Engineered Machined Aluminum Riser And Limb Pockets



Molded Cavity For ACUdraw Crank Handle
(Models without ACUdraw are fitted with a rubber insert)
(No cavity in Carbon Xtra CLS stock)

SteadyEddy Monopod System (Optional)

Patented GripSafety Secondary Safety
(Only on specific models)

Synthetic Cable Yokes For The Ultimate In Tunability And Stability

Precision CNC-machined Aluminum Wheels Or Cams
(Cams are shown)

Bowjax Noise Dampening System (Optional)

FEATURES BY MODEL

NEW FOR 2015

NEW FOR 2015

CARBON XTRA CLS	VAPOR	VENOM	STEALTH FX4	SHADOW ULTRA-LITE	LADY SHADOW	TURBO XLT II	TITAN XTREME
✓	✓	✓	✓	✓	✓	✓	✓
✓	✓	✓	✓	✓	✓	✓	✓
✓	✓	✓	✓	✓	✓	✓	✓
✓	✓	✓	✓	✓	✓	✓	✓
✓	✓	✓	✓	✓	✓	✓	✓
✓	✓	✓	✓	✓	✓	✓	✓
✓	✓	✓	✓	✓	✓	✓	✓
✓	✓	✓	✓	✓	✓	✓	✓
✓	✓	✓	✓	✓	✓	✓	✓
✓	✓	✓	✓	✓	✓	✓	✓
✓	✓	✓	✓	✓	✓	✓	✓
✓	✓	✓	✓	✓	✓	✓	✓
✓	✓	✓	✓	✓	✓	✓	✓
✓	✓	✓	✓	✓	✓	✓	✓
✓	✓	✓	✓	✓	✓	✓	✓
✓	✓	✓	✓	✓	✓	✓	✓
✓	✓	✓	✓	✓	✓	✓	✓
✓	✓	✓	✓	✓	✓	✓	✓
✓	✓	✓	✓	✓	✓	✓	✓



CROSSBOW SPECIFICATIONS

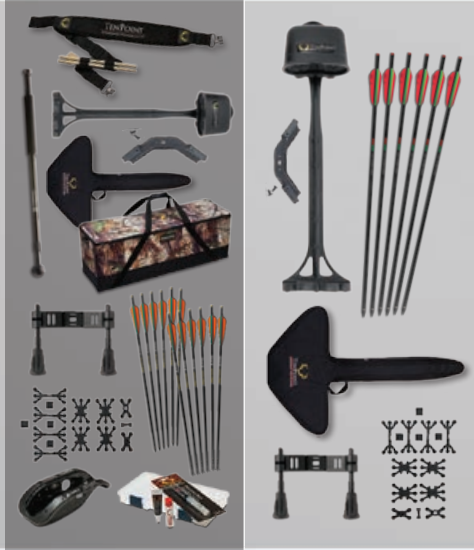


	CARBON XTRA CLS	VAPOR
Length (w/Stirrup)	38.8"	37.4"
Width - Axle-to-Axle (uncocked/cocked)	20.5"/16.9"	17.5"/12.6"
Power Stroke	13"	15.5"
Weight (w/o accessories)	7.3 LBS.	6.8 LBS.
Draw Weight	185 LBS.	165 LBS.

PERFORMANCE (FEET-PER-SECOND/FOOT-POUNDS KE)

Pro Lite Arrow (370-grain)	364 / 109	N/A
Pro V22 Arrow (420-grain)	346 / 112	360 / 121
Pro Elite Arrow (425-grain)	345 / 112	N/A
Magnum XX75 Arrow (435-grain)	342 / 113	N/A

Accessories Included with Package
(see individual bow pages for detailed list of included items)



Purchase Options
(all crossbows come as a complete package, including scope and accessories)

w/ACUdraw 50:
CB11001-8711
w/ACUdraw:
CB11001-8712

w/ACUdraw 50:
CB13004-7411
w/ACUdraw:
CB13004-7412





CROSSBOW SPECIFICATIONS



NEW FOR 2015

NEW FOR 2015

VENOM	STEALTH FX4	SHADOW ULTRA-LITE	LADY SHADOW	TURBO XLT II	TITAN XTREME
34.6"	34.4"	34.4"	34.4"	38"	38"
17.6"/13.3"	17.6"/13.3"	17.5"/13.5"	17.5"/13.5"	17.5"/13.5"	21.6"/18.5"
13.5"	13.4"	12.6"	12.6"	12.5"	12.6"
6.5 LBS.	6.8 LBS.	6.4 LBS.	6.4 LBS.	7 LBS.	7.3 LBS.
185 LBS.	185 LBS.	180 LBS.	180 LBS.	180 LBS.	180 LBS.

372 / 114	370 / 113	350 / 101	350 / 101	345 / 98	333 / 91
355 / 118	353 / 116	333 / 103	333 / 103	328 / 100	316 / 93
353 / 118	350 / 116	331 / 103	331 / 103	327 / 101	315 / 94
350 / 118	345 / 115	328 / 104	328 / 104	324 / 101	312 / 94



w/ACUdraw 50:
CB14007-6811
w/ACUdraw:
CB14007-6812

w/ACUdraw 50:
CB15019-5821
w/ACUdraw:
CB15019-5822

w/ACUdraw 50:
CB14018-7521
w/ACUdraw:
CB14018-7522

w/ACUdraw 50:
CB15018-9521
w/ACUdraw:
CB150189522

w/Rope-Cocker:
CB12020-4920
w/ACUdraw 50:
CB12020-4521
w/ACUdraw:
CB12020-4522

ACUdraw-Ready:
CB12047-6520
w/ACUdraw 50:
CB12047-6521
w/ACUdraw:
CB12047-6522

CROSSBOW COCKING DEVICES

THREE INNOVATIVE COCKING DEVICES

THE ACUDRAW, ACUDRAW 50 AND ACUROPE

MAKING BOWHUNTING ACCESSIBLE TO EVERYONE

The original ACUdraw converts even the heaviest draw weight to about five pounds of effort, and the ACUdraw 50 and ACUrope reduce a crossbow's draw weight by 50%.

ACUDRAW (PATENTED) THE PREMIER COCKING AID AVAILABLE TODAY

The most user-friendly and practical solution available on the market today for cocking a crossbow effortlessly and accurately. Fully integrated into the stock, with no dangling parts, it requires only the strength of the average person's index finger to operate. The ACUdraw allows hunters of all ages and physical abilities to enjoy the great experience of bowhunting.

- Reduces draw weight to about 5-pounds when operated manually
- Lightweight and has no bulky clamp-on assemblies or hang-on accessories
- Draws the bow accurately every time
- Available as an accessory or pre-installed



ACU
draw

Patented



ACUDRAW 50 (PATENTED) TAKES THE TRADITIONAL ROPE-COCKER TO A NEW LEVEL

For years many crossbow shooters have used the conventional but cumbersome rope-cocker to load their crossbows, reducing the draw weight by half.

TenPoint has taken this leveraged rope-cocking concept to an easy-to-use level. Integrated into the butt stock, the ACUdraw 50 ropes retract neatly inside the unit's housing after cocking. No storing the rope, untangling it, or putting it away after use.

Contoured ACUdraw 50 covers fit the stock better than before, and are less bulky. The lightweight covers also improve the alignment of the mechanism's hooks and handles in the housing for improved security when not in use.



ACU draw 50

Patented

- Draws the bow accurately every time
- No more need to hang a rope around your neck or to stash it in your fanny pack
- When not in use, powerful mini-magnets hold the handles securely and silently in place
(Each ACUdraw 50 handle is marked: **WARNING:** Contains a powerful Neodymium magnet that may interfere with the safe operation of pacemakers or other medical implants.)
- Available as an accessory or pre-installed

ACUROPE (PATENTED) THE INDUSTRY'S FIRST COMPACT, FULLY RETRACTABLE ROPE-COCKER

The ACURope is a revolutionary portable, retractable crossbow rope-cocker that cocks a crossbow like traditional rope-cockers on the market today – but that's where the comparison ends. When the shooter is finished cocking the bow, the ACURope's draw cord completely retracts inside one of the two grips. Then, the grips dovetail neatly together to form a compact unit that the hunter can conveniently slip inside a belt-mounted holster or pouch. The unit's slender draw cords, pound-for-pound, 15-times stronger than steel, are made of heat and abrasion resistant SPECTRA® 1000 fiber.

- Clever, convenient, and user-friendly
- Draws the bow accurately every time
- Lightweight and affordable
- No more dangling ropes or handles
- Works on most crossbow brands on the market



ACUROPE

Patented



CROSSBOW ACCESSORIES

3-ARROW INSTANT DETACH QUIVER™

Weighing only 4.75-ounces, our lightweight, quick-disconnect 3-arrow quiver features an ultra-durable spine. Its cup also features a unique, flexible rubber loop that allows you to hang the quiver while in your treestand. Compatible with either our traditional quiver bracket or our side-mount quiver bracket, its three mounting positions allow you to adjust its orientation to suit your preference. Comes with two model-specific mounting brackets.

HCA-019 Quiver - Black

HCA-017 Ambidextrous Side-Mount
Quiver Bracket (not shown)



TENPOINT NEOPRENE SLING

TenPoint's sling features an extra strong 1.25-inch shoulder strap with an integrated elastic band for Crossbow Unloading Bolt storage, and a thumb loop for added shoulder security. Non-slip design with custom swivels and heavy-duty adjustable strap. Includes one CUB.

HCA-004 TenPoint Neoprene Sling



STEDDYEDDY™ (PATENTED)

A telescoping two-section monopod that ensures motion-free shooting while seated in a treestand or ground blind, or while standing with the shooting stick supported against your mid-section. Set its length with a quick turn of the extension pole. Attach it to your crossbow using a 360-degree rapid-pivot tube equipped with a snap-on connection, and clamp it conveniently under your stock when not in use. Includes two model-specific rod retention clips.

HCA-030 SteddyEddy Crossbow Monopod System
(for all TenPoint crossbows built after 1999)

HCA-031 SteddyEddy Rapid-Pivot Retrofit Kit (not shown)



CABLE SAVER

Made from a high lubricity, low friction compound, this cable saver provides a friction-free carriage for your cables.

HCA-114 Cable Saver - TenPoint





SCOPES

RangeMaster Pro™ Scope

This 8.25-inch aluminum scope features a variable speed and arrow drop-compensation setting for crossbows that shoot between 275 and 425 FPS, and requires no adjustment for distance. Three duplex crosshairs and five dots calibrated for 20, 30, 40, 50 and 60-yards (fourth and fifth dots are free standing, just below the 40-yard crosshair) are available with a non-illuminated black dot or one of two rheostat-controlled, illuminated colored dots (red or green). An etched glass reticle and fully multi-coated 1.5 to 5x optics reduce the loss of light transmission, while a 30mm tube heightens light-gathering and durability.

3x Pro-View 2™ Scope

Calibrated for crossbows that shoot in the 330 FPS range, this light-weight, 8.5-inch aluminum-tube scope features 20, 30, 40, and 50-yard dots (fourth dot is free standing, just below the 40-yard crosshair) and fully-coated 3x optics. Available with non-illuminated black dots or one of two rheostat-controlled, illuminated colored dots (red or green).

HCA-09811

RangeMaster Pro Scope with 7/8-inch mounting rings

HCA-097-II

3x Pro-View 2 Scope with 7/8-inch mounting rings

CUB™ (CROSSBOW UNLOADING BOLT)
(PATENTED)

This single-use biodegradable unloading bolt decomposes naturally to minimize environmental impact, and occupies the same space as two ball-point pens.



HEA-000.6

CUB (6-pack)

GRIPGUARD™ (PATENTED)

A shield that custom fits over post-1999 TenPoint synthetic stock model fore-grips with or without a GripSafety™. The wings at the top help prevent a shooter's fore-grip fingers and/or thumb from dangerously migrating above the flight deck while shooting.



HCA-10014

Molded GripGuard – black



BEDNAR PERFECT PULLER™ (PATENT PENDING)

Named for and originally developed by the late Hall of Fame Archer Bill Bednar, this tool is designed to pull arrows from high density targets. Includes three interchangeable grippers sized to fit different shaft diameters of both crossbow and compound arrows. In addition, the hunter orange handles are notched to create a built-in nock tool.

HCA-104

Bednar Perfect Puller (with interchangeable grippers)



SDS™ (STRING DAMPENING SYSTEM)
(PATENT PENDING)

Featuring micro-adjustable dampening rods with durable, high impact rubber dampeners the SDS mounts in the cable slot to dramatically reduce string noise and oscillation. Compatible with post-1999 TenPoint thumbhole models, except the GT Curve™. Compatible with all Wicked Ridge Warrior and Raider CLS crossbows and pre-2015 Invader models.

HCA-149

SDS (String Dampening System)

NOISE DAMPENING PACKAGE

Private labeled exclusively for TenPoint by Bowjax, Inc. the Noise Dampening Package progressively reduces decibel level and shortens noise duration when used on a crossbow. It features a set of Bowjax limb vibration dampeners, a retention spring dampener, and barrel dampeners. Three versions are available.



HCA-13710

Noise Dampening Package – for solid and recurve limbs (not shown)

HCA-13813

Noise Dampening Package – for IsoTaper and HL limbs (includes foot stirrup dampeners)

HCA-13910

Noise Dampening Package – for TL and ST limbs (not shown)

**THERE IS NO
SUBSTITUTE.**



PATENTED ACUDRAW™ & ACUDRAW 50™
(ALSO SHOWN ON PAGES 20 & 21)

Your dealer - or you if you have the proper tools - can install either of these two patented cocking devices. Units include a template for drilling the receiver holes in pre-2003 TenPoint models (drill, bits, and hole cutter not included). Receiver holes are pre-molded in current models. Includes installation instructions.

HCA-000-B-II ACUdraw Cocking Mechanism

HCA-000-B-A50 ACUdraw 50 Cocking Mechanism

CROSSBOW CASE

TenPoint's soft case is made with double-stitched, high-grade Cordura®, thick padding, Trico-lining, a heavy-duty YKK zipper with double pulls, and a removable shoulder strap.



HCA-20113 TenPoint Compact Limb Soft Case - black

ACUROPE™ (PATENTED)

A revolutionary portable, retractable crossbow rope-cocker that reduces the effort required to cock a crossbow by 50%. The grips dovetail neatly together to form a compact unit.



HCA-000-B-R ACUROPE

7/8-INCH DOVETAIL SCOPE MOUNTS & ACCESSORIES

Our machined aluminum Weaver style 7/8-inch Dovetail Scope Mounts come standard on all models.

HCA-078 7/8-inch Fixed Dovetail Scope Mount - Black (not shown)

HCA-079 7/8-inch Extended, Fixed Dovetail Scope Mount - Black (not shown)

HCA-072 7/8-inch Fixed Dovetail Scope Mount - Bronze (not shown)

HCA-077-H Adjustable Scope Mount - Bronze (for crossbows equipped with the RangeMaster Cam or Fixed Position Accessory) (not shown)

ACUDRAW REPLACEMENT ACCESSORIES (SHOWN COLLECTIVELY)

HCA-401 ACUdraw Draw Cord (one-piece for new style claw)

HCA-411 ACUdraw Retraction Spring (post 1998)

HCA-41106 ACUdraw Retraction Spring (post 2006 without roll pin on hub - call TenPoint's Warranty Department at 330-628-9245 if clarification is needed)

HCA-421 ACUdraw Claw with self-centering draw cord (for use with HCA-426 Holder)

HCA-426 ACUdraw Claw Holder

HCA-428 ACUdraw Claw III Kit (includes claw, holder, and draw cord)

HCA-430 ACUdraw Hand Crank (replacement handle only)

HCA-435 ACUdraw Hand Crank & Holster Combo

HCA-450 ACUdraw 50 Replacement Draw Cords

HCA-451 ACUdraw 50 Replacement Retraction Spring

HCA-455 ACUdraw 50 Replacement Covers (except for models formerly known as 6 Point Series)



CROSSBOW MAINTENANCE

CareKit™

Includes three maintenance tools (Microlon® Precision Oiler, TenPoint String Wax and Conditioner, and Flight Rail and Trigger Lube) packaged in a multi-cavity plastic mini-case with plenty of extra room for other bow maintenance items.

String Wax and Conditioner

Made from all natural compounds. Comes in a convenient chap stick style tube. Lubricates and rejuvenates bow strings and cables.

Microlon® Precision Oiler

High-tech lubricant containing antioxidants, corrosion inhibitors, and microscopic fractured resin particles all suspended in a high-quality lightweight oil base. Cleans metal surfaces and prevents corrosion and rust, while the resin impregnates the metal to create a dry film lubricant. Perfect for crossbow rails, triggers, and cams. Comes in a tube fitted with a precision applicator needle.

Flight Rail and Trigger Lube

Unlike other manufacturers' gel-based lubricants, will not gum-up in cold weather or collect dirt and grit.

HCA-11207 CareKit

HCA-11007 TenPoint String Wax and Conditioner

HCA-11106 Microlon® Precision Oiler

HCA-111 Flight Rail and Trigger Lube

PATENTED OMNI-NOCK™ AND PATENT-PENDING OMNI-BRITE™ LIGHTED NOCK SYSTEM

A REVOLUTION IN CROSSBOW ARROW NOCK TECHNOLOGY


YOUR ONE-STOP SOURCE FOR CROSSBOW ARROWS

Regardless of which arrow you shoot, you no longer need to choose between moon, capture, or flat nocks. TenPoint's patented all-purpose Omni-Nock™ and their patent-pending lighted version, the Omni-Brite™ Lighted Nock System, make these special-purpose nocks obsolete. The Omni-Nock and Omni-Brite designs each feature six micro-grooves that form three bowstring channels which eliminate the indexing problem associated with moon and capture nocks.



Because the channel "holds" the bowstring in place, the Omni-Nock also prevents flat-nock "shoot-over" or "shoot-under", a growing problem with today's narrow crossbows with acute string angles.

In addition, our four-arrow Easton® lineup of lightweight, standard-weight, and heavyweight crossbow arrows offer you the perfect arrow for whichever shooting or hunting situation you face.



Micro-grooves form bowstring channels which eliminate the indexing problem associated with moon and capture nocks.

AN OMNI-NOCK FOR EVERY CROSSBOW ARROW

Each of TenPoint's four arrows come pre-installed with its own colored Omni-Nock.

XX75 MAGNUM
NEON ORANGE

PRO ELITE
NEON YELLOW

PRO V22
FLUORESCENT
FIRE ORANGE

PRO LITE
NEON GREEN

Color-coded Omni-Nocks make it easy to find the right nocks for your arrows.



CROSSBOW ARROWS

**THERE IS NO
SUBSTITUTE.**

OMNI-BRITE LIGHTED NOCK SYSTEM

The three-piece, patent pending Omni-Brite Lighted Nock System begins with a Nock-Receiver insert with a six-sided interior cavity designed to accept a combined LED Unit and transparent pegged Omni-Brite Nock. The Nock Receiver glues into the nock-end of the arrow and must be indexed or aligned with the vanes. Like the Omni-Nocks above, Nock Receivers employ the same color scheme and are, therefore, arrow-specific.

To complete the Omni-Brite installation, insert the LED Unit - lighted end first - into the peg end of the Omni-Brite Nock. Then, hand-press the nock and LED Unit into the Nock Receiver, leaving a less-than-dime-thickness gap between the nock and receiver. When you fire your crossbow, the bow-string's force will compress the two pieces, eliminate the gap, and activate the LED.

To deactivate the Omni-Brite System, remove the remove the nock and LED Unit, and pull the lighted end of the LED Unit until the light off. The LED Unit's battery should last for approximately eight hours.

The Omni-Brite Lighted Nock System is comprised of a translucent Omni-Nock, an LED Unit and a Nock Receiver, shown below in order from left to right.



LIGHTED MOON AND CAPTURE NOCK OPTIONS (NOT FOR USE ON TENPOINT CROSSBOWS)

All TenPoint Omni-Brite packaged arrows, in 3-packs and 6-packs, include optional transparent, pegged moon and capture nocks, compatible with the Omni-Nock Receiver. Therefore, if your bow manufacturer requires, you can substitute moon or capture nocks in place of the Omni-Brites.

Lighted Nock System with moon nock



Lighted Nock System with capture nock



OMNI-NOCK AND OMNI-BRITE SYSTEM ARROW-BUILDING COMPONENTS

For those who prefer to build their own arrows, all Omni-Nock and Omni-Brite Lighted Nock System Components are available in both three and six-pack accessory packages. The Omni-Brite Lighted System Components include Omni-Nocks, LED Units, Receivers (for arrows with shaft sizes .297, .300, and .306 I.D.), Refletching Tools, and a Nock and Receiver Alignment Tool. Also included are optional moon and capture nocks.

The Refletching Tool fits into the Omni-Nock or Omni-Brite nock, making it compatible for use on a Bitzenburger Jig.

The dual-purpose Nock and Receiver Alignment Tool has one side that mates with an Omni-Nock and is used to align it with the arrow's vanes when gluing it in place. The other side mates with an Omni-Brite Receiver and is used for the same purpose.



Dual purpose Nock and Receiver Alignment Tool



PRO LITE™ CARBON ARROW
LIGHTWEIGHT / 370-GRAINS* / BALANCED AT 10% F.O.C.

- 11.9%** loss of speed over 50-yds.
- 25.2%** loss of KE over 50-yds.
- 3-inch** group at 50-yds.

As tested with our 185# draw-weight test bow

The Pro Lite 20-inch 22/64ths diameter Easton® carbon fiber arrow is fletched slightly offset with Arizona Archery Enterprises, Inc. (AAE) EP-40 Elite Plastifletch 3 7/8" vanes. It is fitted with a 25-grain aluminum insert and TenPoint's neon green Superbrite™ Omni-Nock.

Note: Do not use the Pro Lite arrow with most pre-2012 TenPoint Crossbows



PRO V22™ CARBON ARROW
STANDARD-WEIGHT / 420-GRAINS* / BALANCED AT 10.5% F.O.C.

- 8.9%** loss of speed over 50-yds.
- 18.7%** loss of KE over 50-yds.
- 2.25-inch** group at 50-yds.

As tested with our 185# draw-weight test bow

The Pro V22™ 22-inch, 22/64ths diameter Easton® carbon fiber arrow is fletched slightly offset with Easton® BTV vanes. It is fitted with a 24-grain aluminum insert and TenPoint's fluorescent fire orange Superbrite Omni-Nock. Precision engineered by Easton®, Pro V22 shafts are inspected for straightness to within .003 and hand sorted for weight tolerance to within two grains per dozen.



PRO ELITE™ CARBON ARROW
STANDARD-WEIGHT / 425-GRAINS* / BALANCED AT 13% F.O.C.

- 8.9%** loss of speed over 50-yds.
- 18.7%** loss of KE over 50-yds.
- 2-inch** group at 50-yds.

As tested with our 185# draw-weight test bow

The Pro Elite 20-inch 22/64ths diameter Easton® carbon fiber arrow is fletched slightly offset with AAE EP-40 Elite Plastifletch 3 7/8" vanes. It is fitted with a 68-grain brass insert and TenPoint's neon yellow Superbrite Omni-Nock. Precision engineered by Easton®, Pro Elite shafts are inspected for straightness to within .003 and hand-sorted for weight tolerance to within two grains per dozen.



XX75 MAGNUM™ ALUMINUM ARROW
STANDARD-WEIGHT / 435-GRAINS* / BALANCED AT 7% F.O.C.

- 7.6%** loss of speed over 50-yds.
- 15.9%** loss of KE over 50-yds.
- 2.5-inch** group at 50-yds.

As tested with our 185# draw-weight test bow

The XX75 Magnum 20-inch, 22/19 Easton® aluminum arrow is fletched slightly offset with AAE EP-40 Elite Plastifletch 3 7/8" vanes. It is fitted with a 13-grain CPC carbon insert and TenPoint's neon orange Superbrite Omni-Nock. Precision engineered by Easton®, Magnum shafts are inspected for straightness to within .003 and hand sorted for weight tolerance to within two grains per dozen.

PURCHASE OPTIONS	PRO LITE	PRO V22	PRO ELITE	XX75 MAGNUM	OMNI-BRITE LIGHTED NOCK COMPONENTS
3-pack arrows with practice points	HEA-460.3	HEA-522.3	HEA-620.3	HEA-002.3	—
6-pack arrows with practice points	HEA-460.6	HEA-522.6	HEA-620.6	HEA-002.6	—
72-pack arrows	HEA-460.72	HEA-522.72	HEA-620.72	HEA-002.72	—
3-pack Omni-Brite lighted arrows	HEA-429.3	HEA-529.3	HEA-639.3	HEA-039.3	—
6-pack Omni-Brite lighted arrows	HEA-429.6	HEA-529.6	HEA-639.6	HEA-039.6	—
3-pack (Omni-Brite lighted nock components)	—	—	—	—	HEA-369.3
6-pack (Omni-Brite lighted nock components)	—	—	—	—	HEA-369.6
6-pack receivers	HEA-341.6	HEA-339.6	HEA-340.6	HEA-350.6	—

*With 100-grain field point or broadhead

STRING AND CABLE REFERENCE GUIDE

CROSSBOW MODEL	STRINGS	STRING TWISTS	CABLES	CABLE TWISTS
Huntsman 1994-1997	Upgrade Required	13 (after upgrade)	Upgrade Required	13 (after upgrade)
Huntsman 1998	Upgrade Required	13 (after upgrade)	Upgrade Required	13 (after upgrade)
HuntMaster (w/out yokes) 1994-1995	HCA-115	13	Upgrade Required	13 (after upgrade)
HuntMaster (w/yokes) 1995-1997	HCA-115	13	HCA-124	13
458 Magnum TL-4 1998-1999	HCA-115	13	HCA-124	13
Woodsmen, Woodsmen Plus & Woodsmen SE	Upgrade Required	13 (after upgrade)	Upgrade Required	13 (after upgrade)
Slider, Titan TL-7, Titan TL-4, Titan, Titan II & Titan SE	Upgrade Required	13 (after upgrade)	Upgrade Required	13 (after upgrade)
Elite X2, Magnum X2, Stealth X2 & Turbo X-2	HCA-115	13	HCA-124	13
Hybrid Lite & Elite Lite	HCA-115	13	HCA-124	13
Pro Fusion, Pro Slider, Titan TL-9 & Titan HLX	HCA-115	13	HCA-124	13
Pro Elite, Elite, Elite QX-4 & QX-4	HCA-115	13	HCA-124	13
Maverick HP, Pro Elite HP, Blazer HP & Lazer HP	HCA-115	13	HCA-124	13
Phantom Xtra, Phantom CLS, Shadow CLS & Defender CLS	HCA-11607	16-18	HCA-12307	6-8
Carbon Xtra CLS & Carbon Fusion CLS	HCA-11607	16-18	HCA-12307	6-8
Stealth XLT & Turbo XLT	HCA-12110	14-16	HCA-12710	5-7
Turbo XLT II, Carbon Elite XLT & Stealth SS	HCA-12112	14-16	HCA-12912	9-11
Shadow Ultra-Lite & Tactical XLT	HCA-12112-R	Pre Twisted	HCA-12912-R	Pre Twisted
Titan Xtreme	HCA-11712	14-16	HCA-12612	10-12
GT Curve, GT Flex & GT Mag	HCA-12008	16-20	N/A	N/A
Vapor	HCA-11813	Pre Twisted	HCA-12813	Pre Twisted*
Venom	HCA-12014	Pre Twisted	HCA-12514	Pre Twisted**
Lady Shadow	HCA-12115-P	Pre Twisted	HCA-12915-P	Pre Twisted**
Stealth FX4	HCA-12015-0	Pre Twisted	HCA-12515-0	Pre Twisted**

Note: When installing most cables, twist the bottom yoke (located at the end of each cable) four times and the top yoke one time.

*Twist the Vapor top yokes three full twists, and the bottom yokes three full twists – the string & cables are pre-twisted, and do not require additional twists.

**Twist the Venom, Stealth FX4 & Lady Shadow bottom yokes four full twists – the string & cables are pre-twisted, and do not require additional twists.



TENPOINT TESTED TENPOINT TOUGH

We design, build, and test our crossbows here in the USA. Doing so enables us to control the process and to use the best parts and materials available, thereby guaranteeing a final product of uncompromising quality.

Our rigorous testing standards have earned us a reputation for making some of the most durable and dependable products on the market. We validate all of our designs through a prototyping process that combines hands-on testing with automated cycle testing.

Our automated shooting simulator allows us to put thousands of shots on our bow assembly designs in a matter of days – so when the final product arrives on the shelves, it will meet your expectations.

CORPORATE STATEMENT

Our goal at TenPoint Crossbow Technologies® is to be a world class manufacturer of products that are recognized as an industry standard for safety, precision engineering, durability, performance and power.

Two principles guide the operation of our company. First, quality cannot be compromised. Second, successful enterprise comes from sound business relationships built on mutual trust, respect and ethical behavior.

Our marketing objective is to build solid long-term relationships with our business partners and customers. We intend to achieve that goal by keeping our promises, responding quickly, operating consistently and remaining loyal. We promise to stand by our products, correct our errors, listen to suggestions and continuously look for ways to improve our methods of operation.

Finally, we are committed to the care and conservation of our land, water and air; to the humane and responsible management of our wildlife and to the preservation and expansion of recreational shooting and hunting.



1325 Waterloo Road • Mogadore, OH 44260-9608
Phone: 330.628.9245 • Fax: 330.628.0999



TENPOINT

CROSSBOW TECHNOLOGIES

